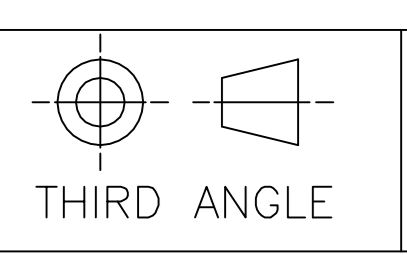
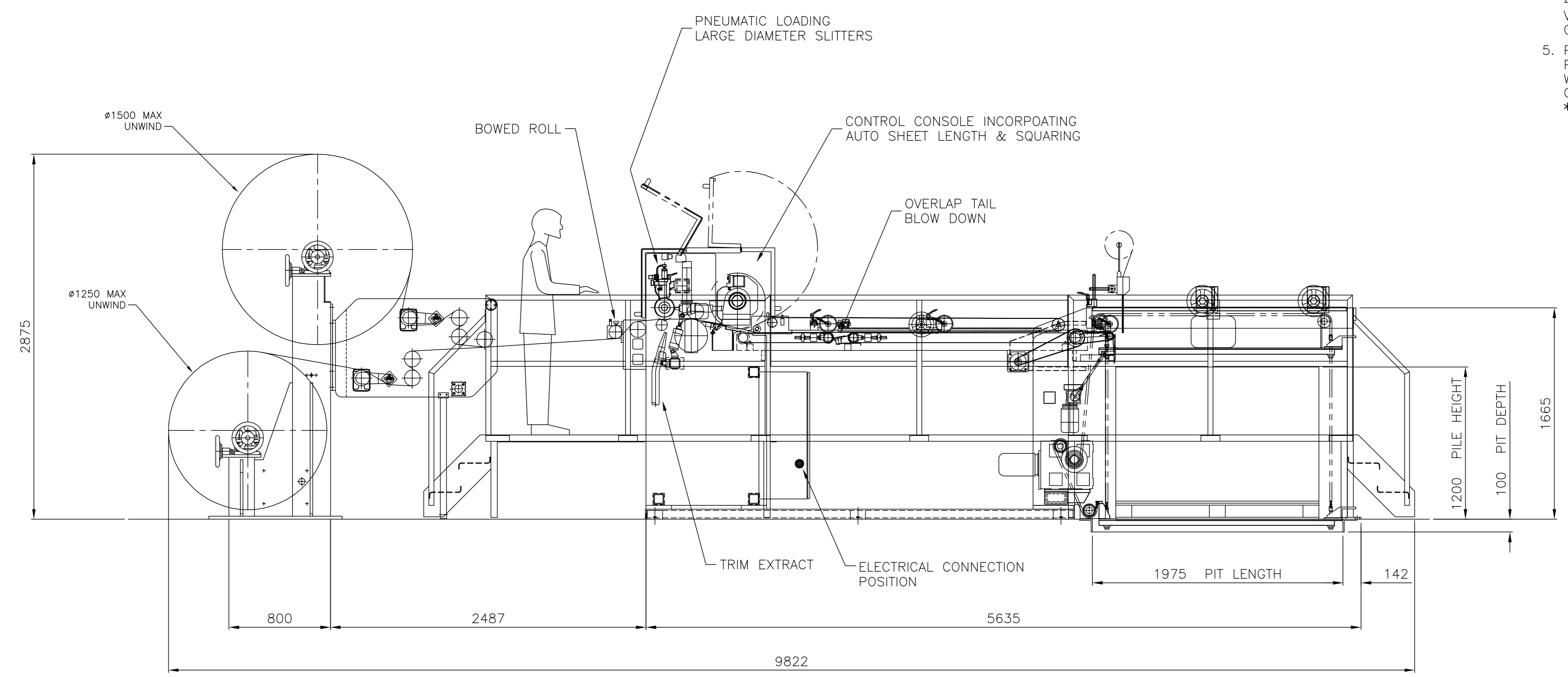


- NOTES:-
1. PNEUMATIC SUPPLY INPUT:-
6 BAR MINIMUM - 10 BAR MAXIMUM 0.7 CUBIC METRES PER MINUTE - MUST BE CLEAN DRY AIR (FILTERED TO 0.3u PARTICLES & 99.9% OIL MIST REMOVED)
 2. ELECTRICAL SUPPLY INPUT:-
415 VOLTS 3 PHASE 50 HERTZ (NO NEUTRAL REQUIRED) 30 KVA AT 20 AMPS MAXIMUM CLEAN ELECTRICAL EARTH ESSENTIAL
 3. A MAINS TRANSFORMER IS REQUIRED IF THE SUPPLY VOLTAGE DIFFERS FROM THE VALUES SHOWN
 4. SITE LOCATION:-
FLOOR EXCAVATION & FOUNDATIONS REQUIRED, MINIMUM ACCESS DOOR SIZE 3M x 3M, ACCESS FOR LIFTING & INSTALLATION AROUND MACHINE MUST BE PROVIDED, 4 METRES HEAD ROOM REQUIRED, VALMET TO BE INFORMED IF ANY OF THE ABOVE ITEMS CANNOT BE PROVIDED.
 5. PIT DETAILS:-
PIT SIZES AS SHOWN ON DRAWING, PIT EDGE TO BE FORMED WITH 100x100x10 M.S. ANGLE, BACK FILL TO THE ANGLE WITH CONCRETE, TOLERANCE ON PIT DIMENSIONS = ±3mm
*** PIT MUST NOT BE MADE OVER SIZE ***



METRIC DO NOT SCALE - IF IN DOUBT ASK
CAD DRAWING
NO MANUAL CHANGES TO BE MADE

MATERIAL :-
FINISH :-
ISSUE CHANGES :-

UNTOLERANCED DIMENSIONS	
NOMINAL DIM'S	±0.5
DECIMAL DIMS	±0.05
UNFINISHED SURFACES	±1.5
UNFINISHED ANGLES	±0.5°
FINISHED ANGLES	±0.25°
FINISHES	0.8 ✓
UNLESS SPECIFIED OTHERWISE	

TITLE			
ARRANGEMENT OF C.T.S. 1450mm WEB WIDTH			
DRAWN	DATE	SCALE	
BRIAN BETHELL	8-5-03	1:20	
	MODEL	CHECKED BY	
	SHEET		
ISSUE No.		SIZE	DRG No.
		1 D	V03S003

