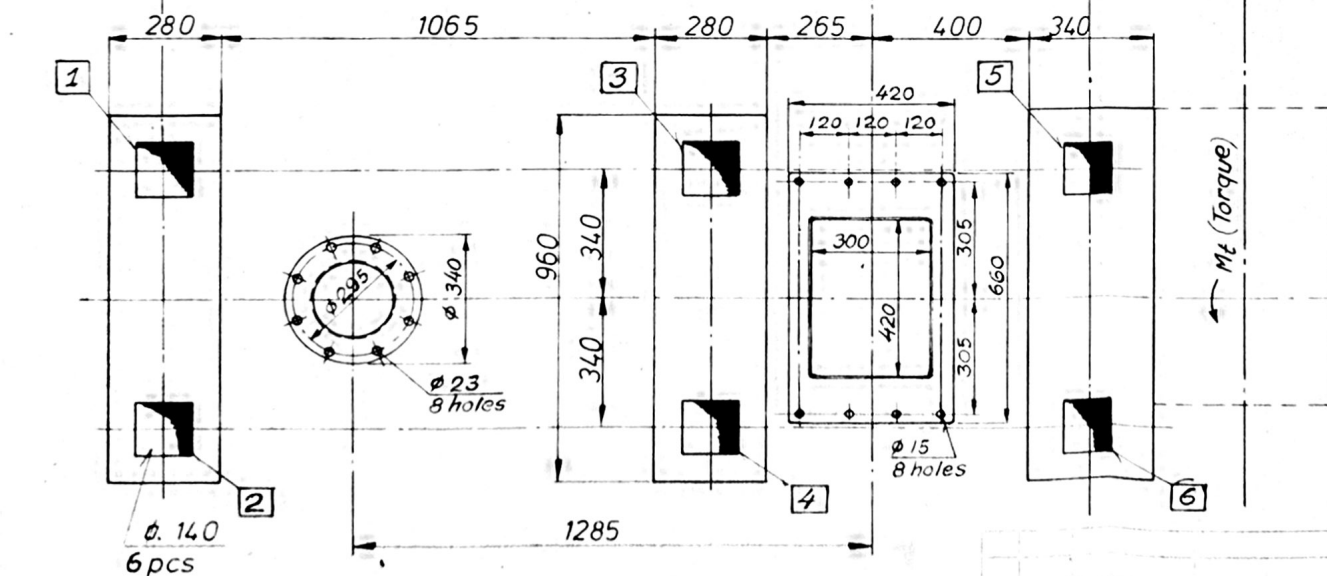
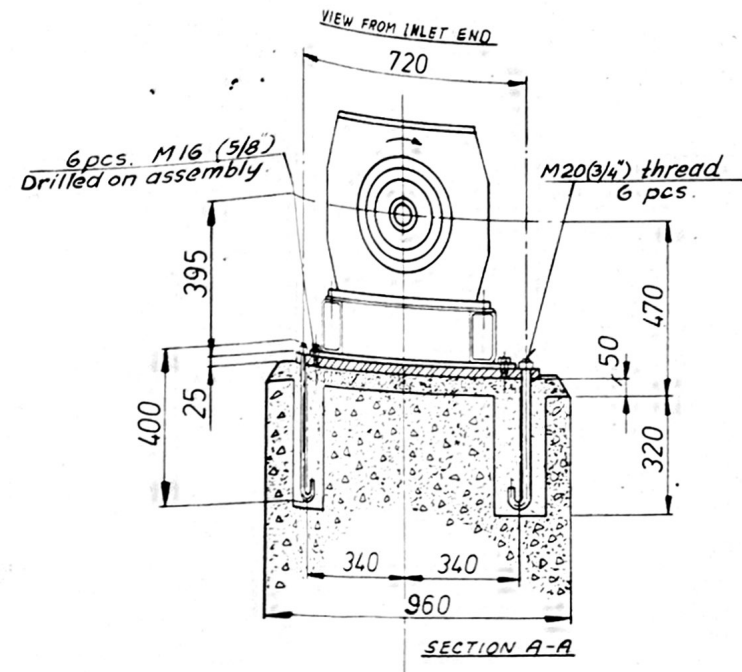
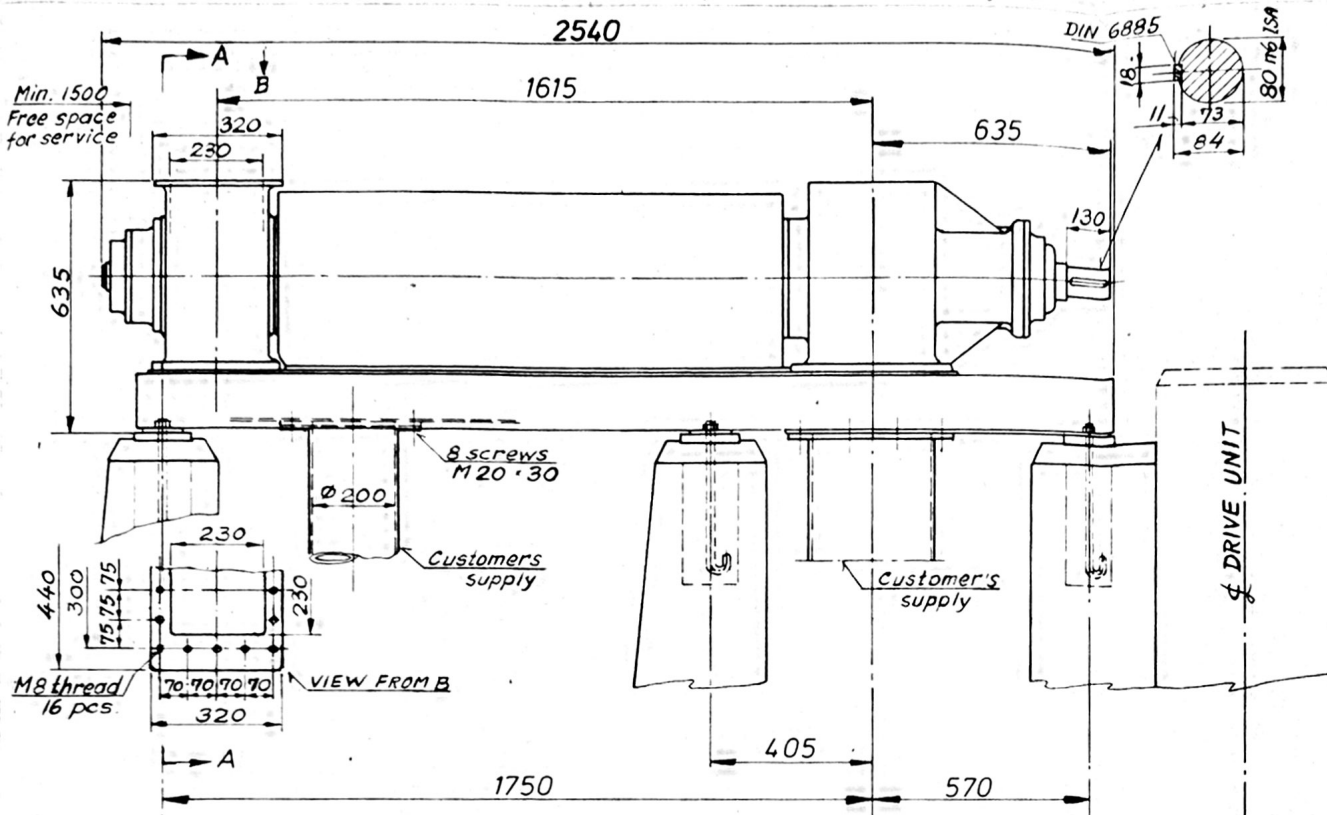


NET WEIGHT 850 KG.

SP 23		THUNE SCREW PRESS	
Part No.	125	SP 23	
Rev.		42774-004	
Qty.			
Material			
Weight			
Drawn			
Checked			
Approved			



LOAD WITH 10kW (13.6kW) MOTOR 35 RPM			
Mt norm. = 2700Nm		Mt max. = 6800Nm	
6	↓ 4000N	↑ 8000N	↑ 5000N
5	↓ 1500N	↑ 5000N	↑ 8000N
4	↓ 4000N	↑ 8000N	↑ 8000N
3	↓ 1500N	↑ 5000N	↑ 8000N
2	↓ 3000N	↑ 5000N	↑ 1500N
1	↓ 1000N	↑ 1500N	↑ 5000N
BOLT NO	NORM.	MAX	REVERS

44237-001	Foundation bolt M20 · 400
43526-002	Baseplate 25 · 150 · 820
42774-003	Screw Press SP 23
42774-002	Screw Press SP 23
Tilhørende tegninger: REF. TO	

SP23

Materialkvalitet

110

FOUNDATION DRWG  
SCREW PRESS SP 23

2 43197-000

Side

Av. V